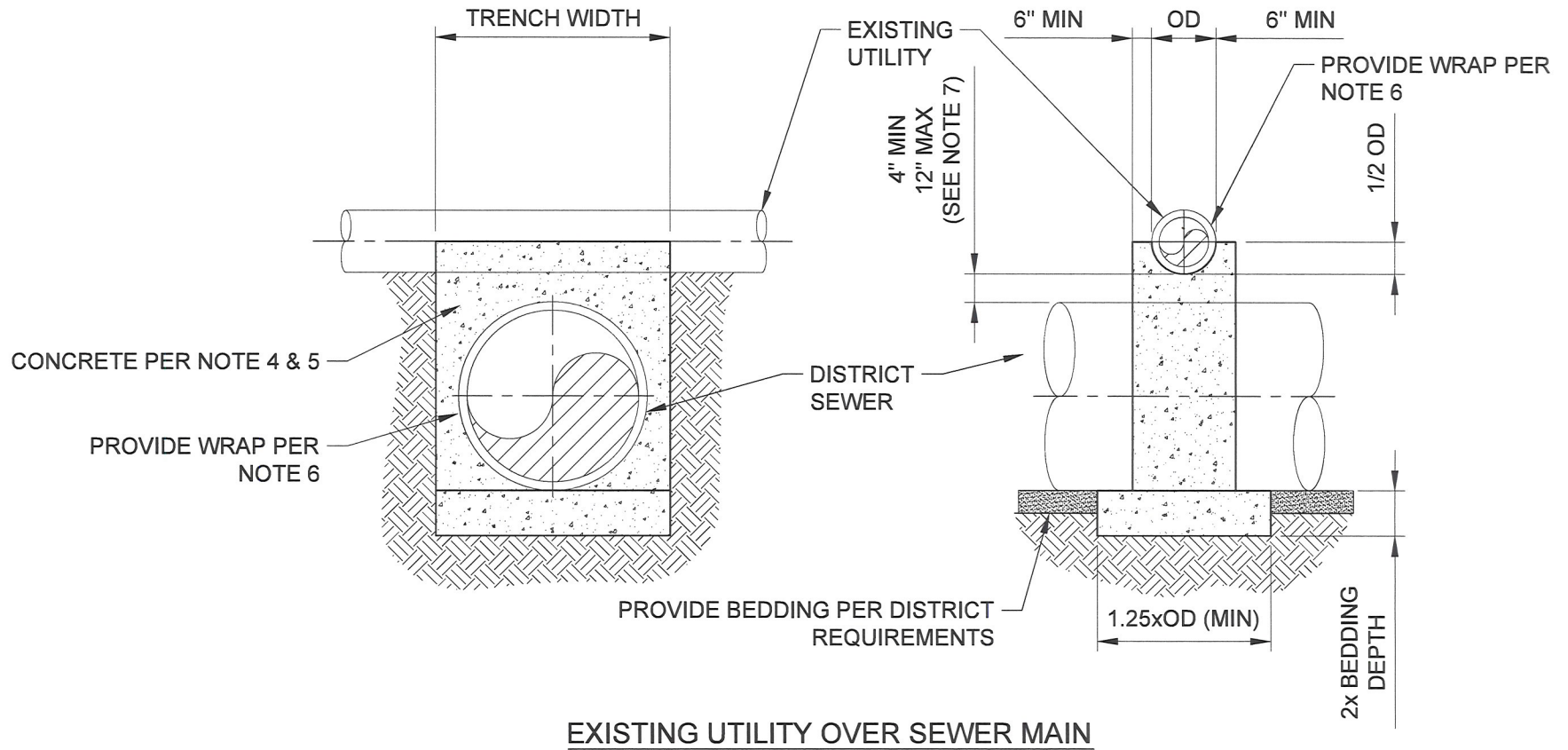


THIS DETAIL SHALL APPLY WHERE VERTICAL CLEARANCE OUTSIDE TO OUTSIDE OF SEWER PIPE OR LATERAL IS LESS THAN 12 INCHES UNLESS OTHERWISE APPROVED BY THE DISTRICT.

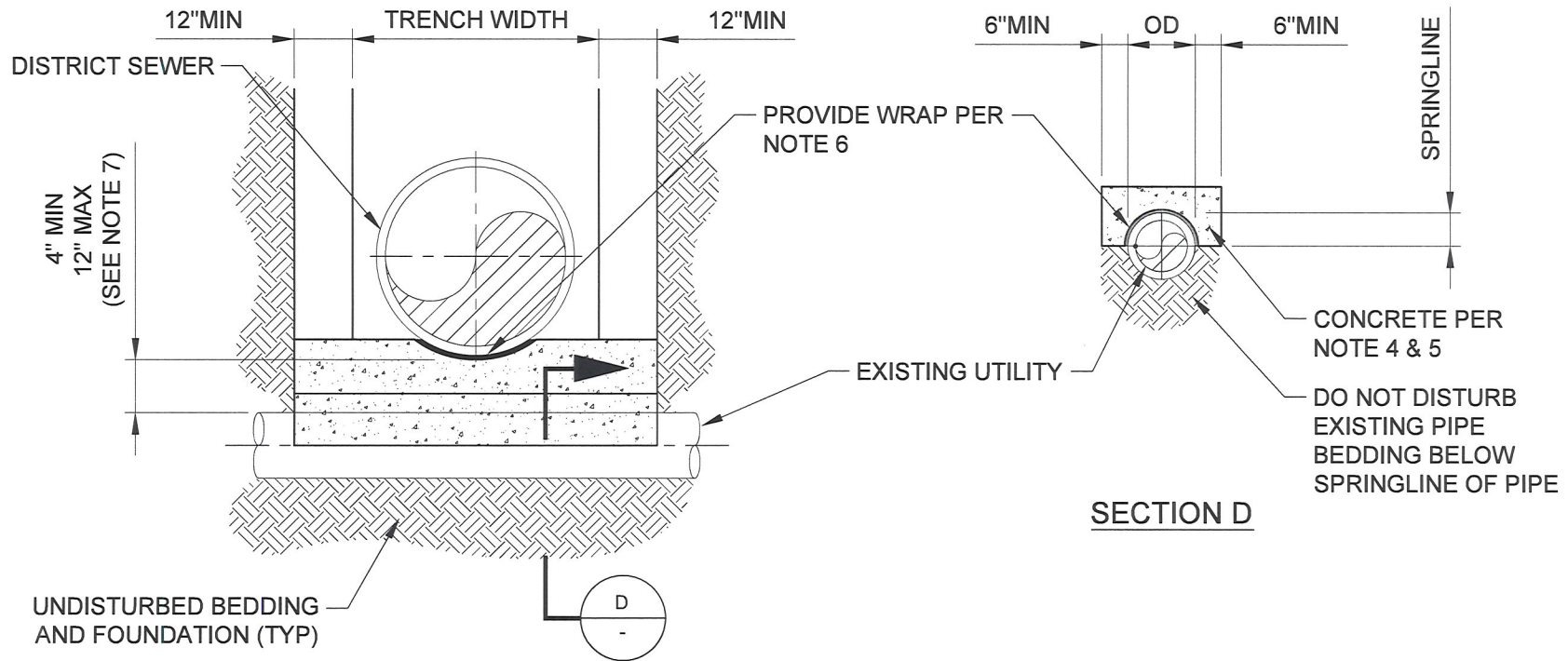


NORTH DAVIS SEWER DISTRICT

## ND-20 Structural Support at Crossings 1 of 3

Adopted 6/13/2024

THIS DETAIL SHALL APPLY WHERE VERTICAL CLEARANCE OUTSIDE TO OUTSIDE OF SEWER PIPE OR LATERAL IS LESS THAN 12 INCHES UNLESS OTHERWISE APPROVED BY THE DISTRICT.



EXISTING UTILITY UNDER SEWER MAIN



NORTH DAVIS SEWER DISTRICT

## ND-20 Structural Support at Crossings 2 of 3

Adopted 6/13/2024

**NOTES:**

1. CONTRACTOR MUST NOTIFY THE DISTRICT 48 HOURS BEFORE WORK BEGINS.
2. CONTRACTOR SHALL BE RESPONSIBLE FOR PROTECTION OF EXISTING SEWER AND OTHER UTILITIES, PROPER BACKFILLING, COMPACTING, AND SURFACE RESTORATION.
3. BACKFILL TO BE BROUGHT UP UNIFORMLY ON BOTH SIDES OF CONCRETE SUPPORT.
4. CONCRETE SHALL BE TYPE I/II PORTLAND CEMENT PER ASTM C150 WITH A MINIMUM COMPRESSIVE STRENGTH OF 4000 PSI PER ASTM C39. NO ADDITIVES SHALL BE PERMITTED WITHOUT PRIOR APPROVAL BY THE DISTRICT.
5. CONCRETE OR FLOWABLE FILL SHALL NOT BE INSTALLED TO SUPPORT OR BACK FILL ASBESTOS CEMENT PIPE (ACP). WHERE ACP REQUIRES SUPPORT OR BACKFILL, PROVIDE 3/4-INCH MINUS OR IMPORTED SAND MATERIALS.
6. INSTALL #15 FELT, 1/2" EXPANSION JOINT FILLER MATERIAL, OR NEOPRENE WATERSTOP ALL AROUND ENCASED PIPE AND BETWEEN CONCRETE AND SUPPORTED PIPE PRIOR TO THE POUR OF CONCRETE ENCASEMENT TO PREVENT BONDING.
7. SANITARY SEWER LINES SHALL BE INSTALLED BELOW POTABLE WATER LINES. A MINIMUM SEPARATION OF 18 INCHES BETWEEN THE BOTTOM OF THE POTABLE WATER LINE AND THE TOP OF THE WASTEWATER LINE SHALL BE MAINTAINED. WHERE A POTABLE WATERLINE CROSSES UNDER A WASTEWATER OR STORM LINE, A FULL SPOOL LENGTH OF PIPE SHALL BE CENTERED ABOVE THE WATER LINE SO THAT JOINTS WILL BE AS FAR FROM THE POTABLE WATER LINE AS POSSIBLE. ADDITIONAL MITIGATION MEASURES MAY BE REQUIRED PER UTAH DEPARTMENT OF ENVIRONMENTAL QUALITY (DEQ) AND UTAH STATE CODE R309-105-6(2)(b).
8. CONTRACTOR TO GET APPROVAL FROM UTILITY OWNER PRIOR TO INSTALLATION.

